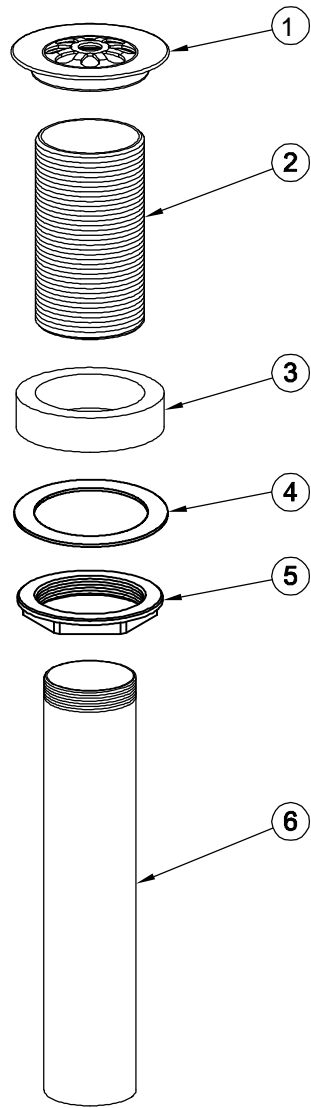


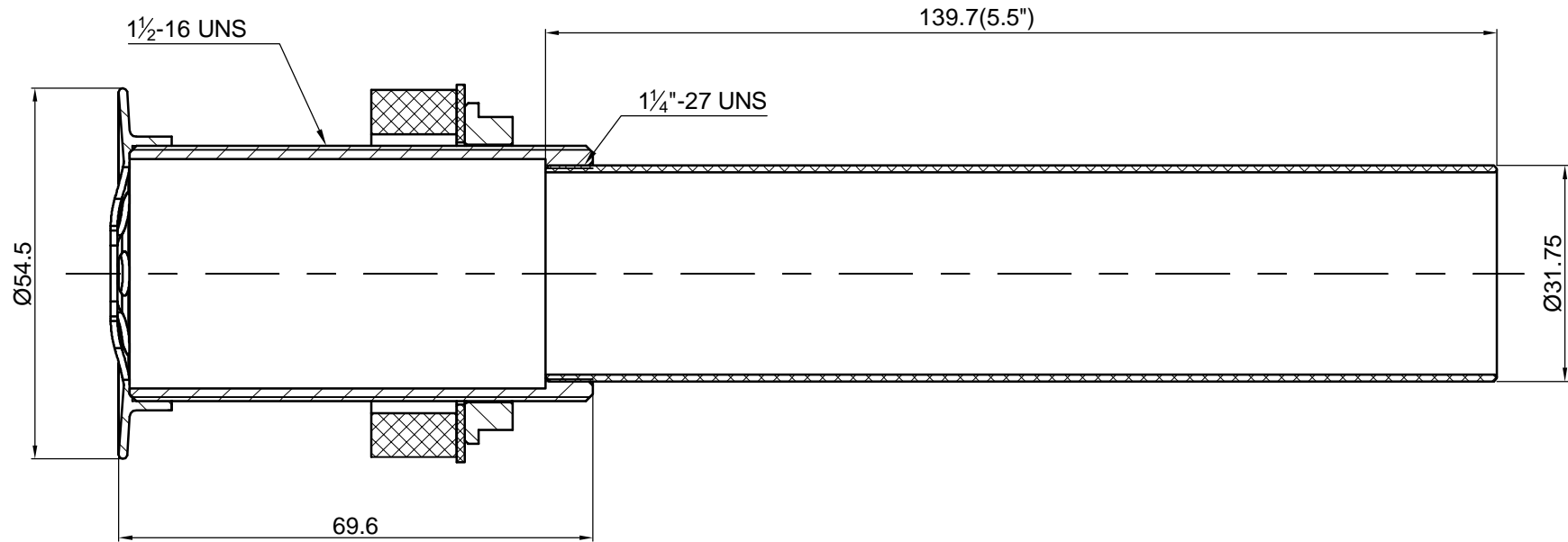
EXPLOSIVE VIEW

17.8KGS/CTN

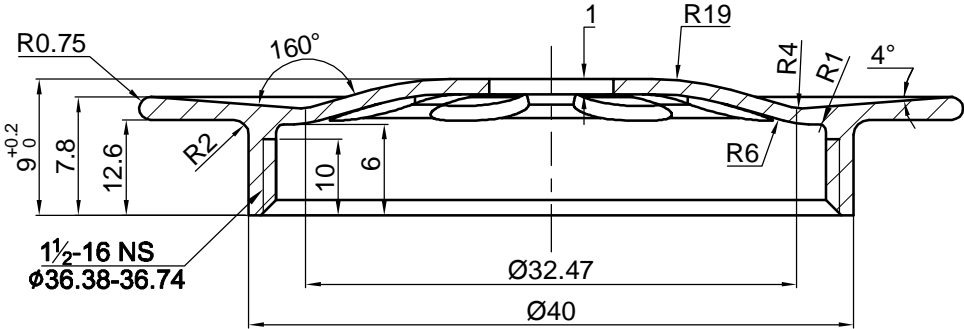


NO.	Part Name	Material
1	FLANGE	BRASS
2	MAIN BODY	BRASS
3	GASKET	RUBBER
4	GASKET	PE
5	LOCK NUT	BRASS
6	TUBULAR	BRASS

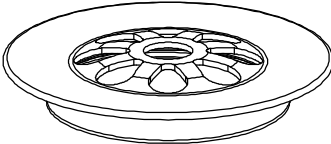
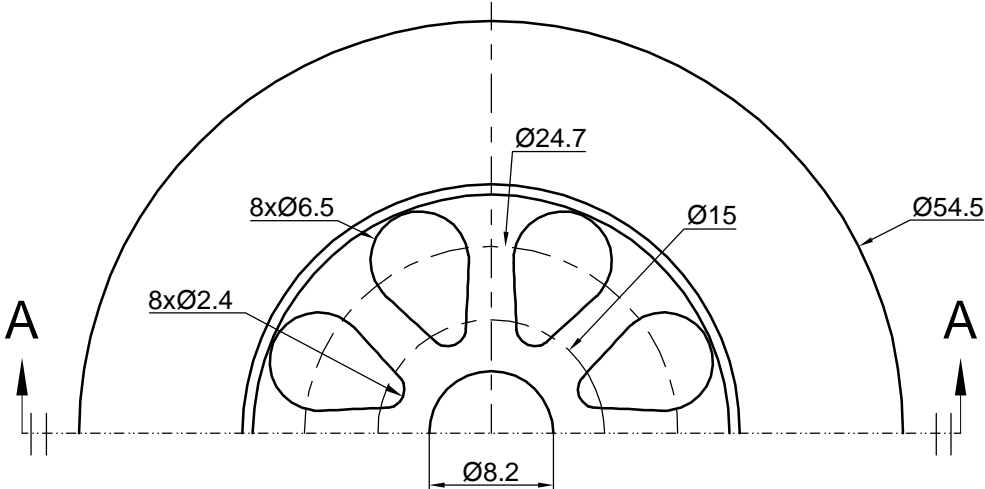
DIMENSIONAL DRAWING



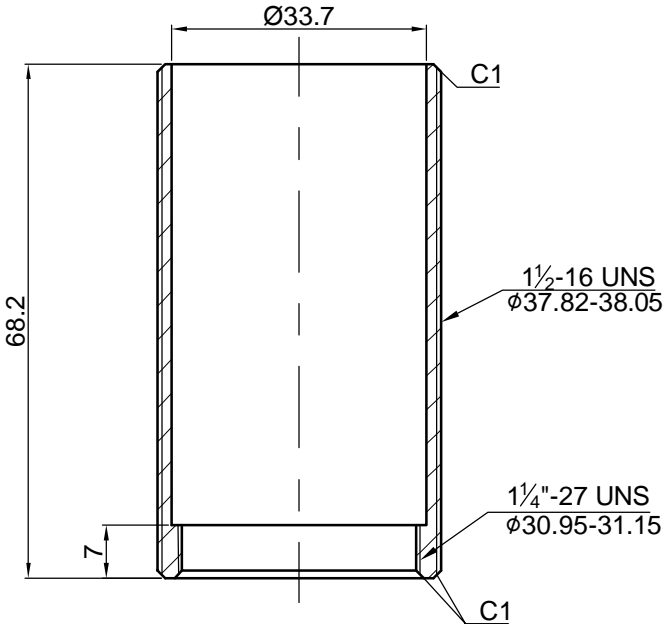
FLANGE



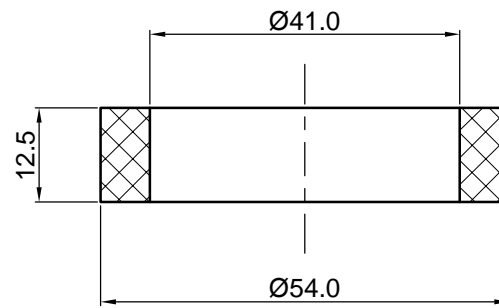
SECTION A-A



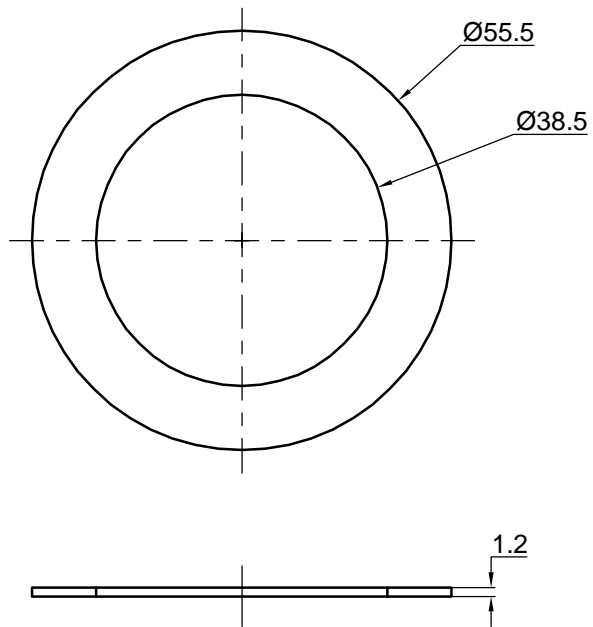
MAIN BODY



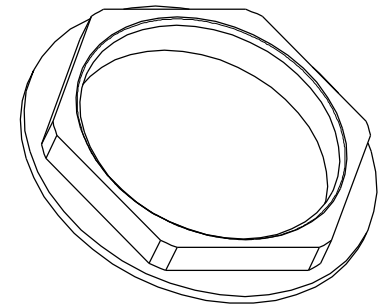
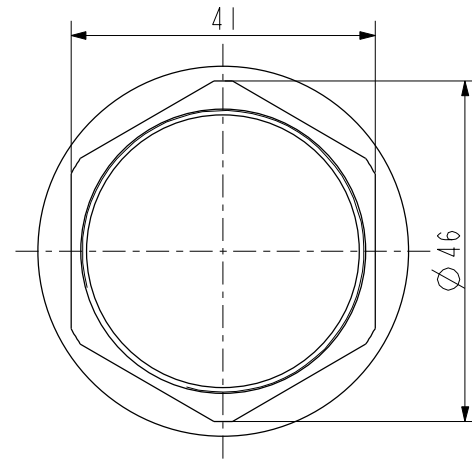
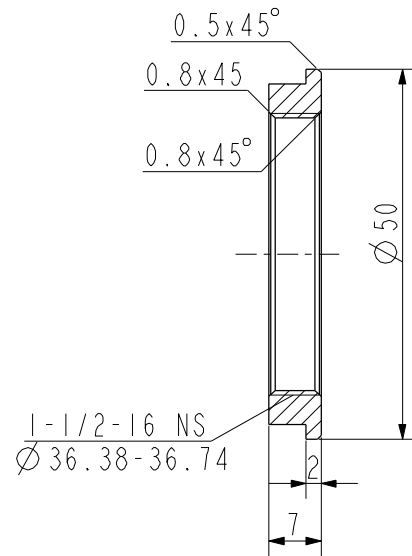
RUBBER GASKET



PE GASKET



LOCK NUT



TUBULAR

