



CARE INSTRUCTIONS FOR CONCRETE SINKS & VANITY TOPS

Thank You for Choosing an Eden Bath™ Concrete Product!

To help you stay as happy with your Eden Bath™ concrete product as the day it was installed, please follow the care and cleaning instructions provided in this document. If you have other questions, please feel free to contact our Customer Service department at 1.877.578.5584 or sales@edenbath.com. For more information about your Eden Bath™ concrete product, please visit our website at www.EdenBath.com.

GENERAL

Your Eden Bath™ concrete product has been handcrafted to be functional and to look amazing at the same time. Concrete is a rustic material with natural variations in color and surface and the material ages when used.

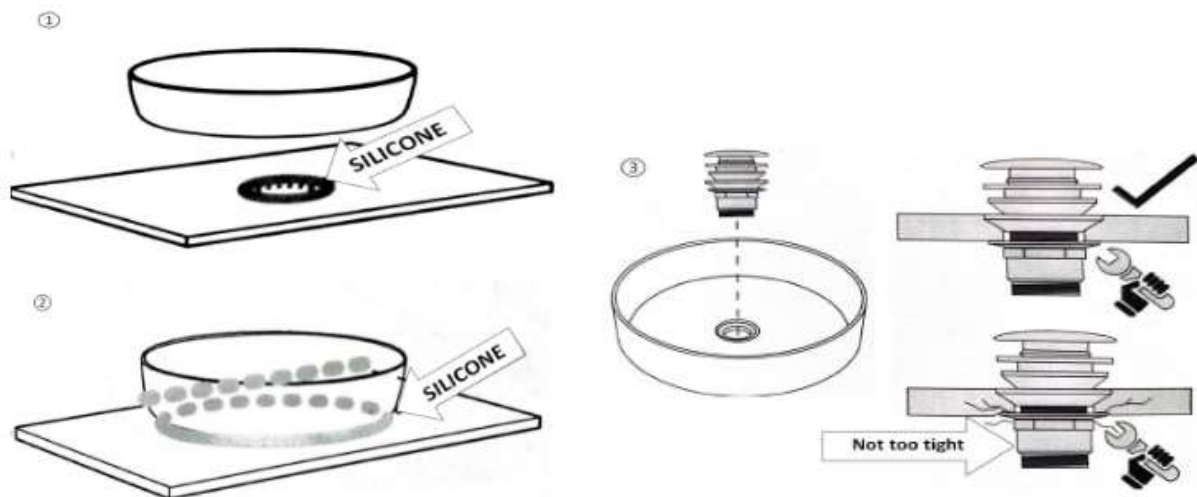
Concrete sinks and vanity tops do require proper care, and we would like to provide some tips to maintain the look and functionality for years to come. The inside of the washbasin and vanity tops are sealed to close pores and make the surface more resistant to stains.

The following provides important and helpful suggestions for you to use the sink or top. Please read carefully before use.

INSTALLATION TIPS

Please **DO NOT OVERTIGHTEN THE DRAIN** or it could cause the sink or counter to crack.

If silicone ends up in areas not covered by a sink or backsplash, be sure to remove it immediately or it may leave a stain.





CARE INSTRUCTIONS FOR CONCRETE SINKS & VANITY TOPS

CLEANING & CARE OF YOUR CONCRETE PRODUCT

Your sink's surface has been treated with an industrial sealing product to provide full waterproofness and improve stain resistance. However, it is not fully stain resistant and must be properly cared for.

- Rinse your sink after use of anything that have been dropped on it. Tooth paste and other products left on the surface may leave stains.
- Wipe off water drops with a soft cloth after use to avoid lime coating. If water is left standing in the basin, dark areas may occur which disappear after a few hours.
- Do not expose the washbasin to water with a temperature higher than 158° F (70° C) or rapid temperature changes.
- Always use a soft cloth, avoid abrasive cleaners, scouring pads, steel wool or similar for surface cleaning. The surface may be damaged and expose some of the aggregate material in the concrete.
- Avoid cleaners and products containing abrasives, acids, ammonia, acetone, solvents or other chemicals (e.g. scrubbing powder, hair spray, hair color, bleach, hair removers and nail polish remover etc.). Should you spill any of the above products on the wash basin, it should be removed immediately to avoid damage. These products may attack the coating and reduce the waterproofness of your sink in time.
- A gentle soap with a medium pH, diluted in warm water will remove dirt and keep your finish like new.
- Alternatively, you could use a mixture of 1 ounce (30 grams) of white vinegar to every 1 gallon (3.8 Liters) of warm water.
- Avoid collision with hard objects.

In the unfortunate event that your product's sealant is compromised, you will need to purchase a polyurethane based concrete sealer and apply it to the surface of the product per the sealer's instructions.