



## OCEANA Glass Under Mount Sink Model Specification

### OCEANA Glass Under Mount Sink

Model #: 007

Countertop setting: standard oval  $19 \frac{1}{2}$ " x  $16 \frac{1}{2}$ "

Outer edge sink dimensions:  $19 \frac{3}{4}$ " x  $16 \frac{3}{8}$ "

Inner bowl dimensions:  $17 \frac{5}{8}$ " x  $14 \frac{3}{4}$ " x  $5 \frac{1}{8}$ "

Weight: approx. 17lbs

Available colors: 13

Pattern: OCEANA

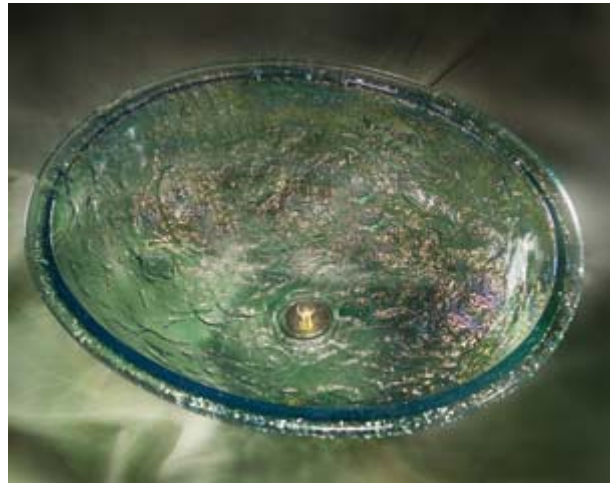
Standard  $1 \frac{3}{4}$ "

Drain requirements:

1  $\frac{1}{4}$ " tail pipe

2  $\frac{1}{8}$ " flange

Overflow: Available as special order only



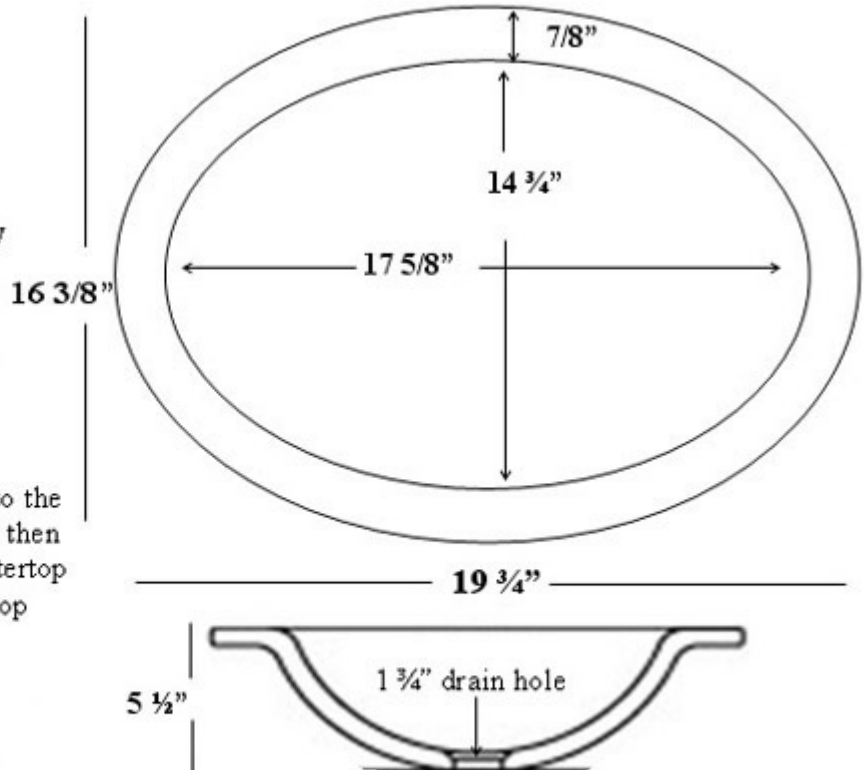
### Undermount Sinks

- Model # 007
- Weight: approx. 20 lbs
- Overflow: Special Order only
- Can be installed as drop in
- Hardware not included  
Hardware needed dependent upon top material

#### **Undermount Installation:**

1. Apply a clear epoxy/caulking to the top rim of the undermount and then hold it in place under the countertop
2. Screw L brackets into countertop from underneath

#### **Template included with sink**



All measurements and weights are approximate. Oceana vessels are made using free flow hand process.